



# Analogik

## ELECTRONICS CORPORATION

### 2 WIRE / 4 WIRE TEMPERATURE TRANSMITTER - SERIES - 401



- IP 55 or flame proof versions available.
- Local indication 3<sup>1/2</sup> digit LCD available.
- High accuracy, very low temp. drift.
- Built - in cold junction Compensation & three wire lead resistance compensation.
- CMRS certified explosion proof housing for Gr. II A, II B, II C.
- Upscale / down scale for open sensor.
- ON line easy calibration by Zero & Span.

#### GENERAL DESCRIPTION

Analogik 2 Wire 4W temp. transmitters accepts Pt -100 input & thermocouples & gives 4 to 20mA output proportional and linear to input signal. Direct sensor connections are eliminated, due to which long run cable for pt - 100 & T/C are avoided gives economical solution. The rack mounted, G - rail, field mounting as well as pipe mounting versions are available. The flame proof version with CMRS certification for II A, B, C & E are available.

In the head mounted 2W temp transmitter the sensor is attached at the bottom.

#### FEATURES

- ◆ Three wire lead resistance compensation & built - in cold junction compensation.
- ◆ High accuracy typically 0.2% of F.S.
- ◆ Drift free performance.
- ◆ Rack mounted, field mounted, Head mounted, 2" pipe mounted, G rail versions available.
- ◆ On - line calibration in case of flame proof version.

#### CONSTRUCTION & OPERATION

The glass epoxy, green masked, high quality components soldered PCB provides the drift free & reliable performance Low level signal mV from T/C & resistance of RTD are converted into voltage & fed to V to I converter. This further converts the signal into 4 to 20mA DC signal proportional to input. The highly stable current source & accurate reference is used to give good results. Up Scale or Down scale facilities are provided for sensor break protection.

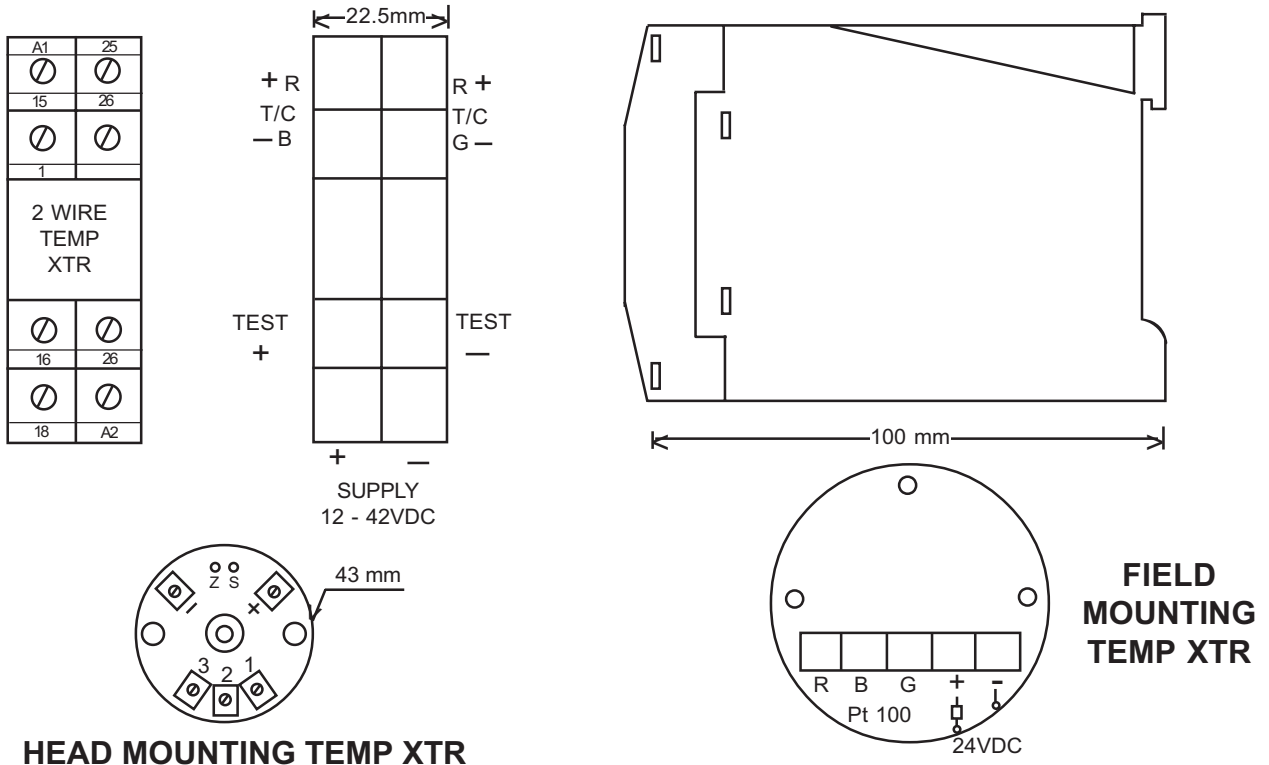
#### APPLICATIONS

- ◆ To avoid the signal loss & to avoid the expensive cables of the sensors the 2W - 4W transmitters is the best solution. This is used as an isolation between field operations & central room is large, the Analogik 2W - 4W transmitters is the best, economical solution.

## TECHNICAL SPECIFICATIONS

<b>INPUT</b>	Pt-100, RTD, mV, T/C	<b>ZERO SPAN ADJUSTABILITY</b>	±15 % of F. S.
<b>OUTPUT</b>	4-20mA in series with Power Supply	<b>COLD JUNCTION COMPENSATION</b>	Built - in
<b>SUPPLY</b>	12 to 42 VDC	<b>THREE WIRE LEAD RESISTANCE COMPENSATION</b>	Up to 100 V for Pt - 100 I/P, three-wire
<b>RANGE</b>	-200 to + 600 for Pt - 100 others as per requirement	<b>OPERATING TEMP.</b>	10 to 55 °C
<b>ACCURACY</b>	±0.25% of F. S. including linearity, repeatability	<b>OPERATING HUMIDITY</b>	90 % Rh. N. C. max.
<b>TEMP. DRIFT</b>	0.02 % °C at both end.	<b>MEASURING CURRENT</b>	Less than 1 mA
<b>OUTPUT LOAD</b>	600 V at 24 DC supply	<b>OPEN SENSOR CONDITION</b>	Up scale / Down scale
		<b>HIGH &amp; LOW CURRENTS</b>	3.5mA min. 30mA max.
		<b>ENCLOSURE</b>	Wall mounted type Rack mounting type Head mounted type

## DIMENSIONAL & ELECTRICAL SPECIFICATIONS



### ANALOGIK ELECTRONICS CORPORATION

#### REGD. OFFICE :

S. NO. 250/1, D. P. ROAD, Sharda Park,

BANER, PUNE - 411 007, INDIA

TEL. - (020) 25888688 TELEFAX - (020) 25888688

E-mail - analogik@vsnl.com

### AREA REPRESENTATIVE