



# Analogik

## ELECTRONICS CORPORATION

### **P<sup>H</sup> INDICATOR / P<sup>H</sup> TRANSMITTER - Analogik - PH21**



- High quality, accuracy & drift free performance.
- 0/4 to 20 mA O/P proportional to 0 to 14 P<sup>H</sup>.
- IP-55 enclosure as well as DIN rail mounting enclosures.
- Auto / manual temp. compensation.
- Digital LCD local indication can be provided.
- Field mountable P<sup>H</sup> transmitter can be provided
- Field mountable P<sup>H</sup> transmitter enclosed in weather proof cast Al housing.

#### **GENERAL DESCRIPTION**

Analogik P<sup>H</sup> meter and transmitter incorporates the latest high technological advancements. It has very stability, reproducibility & continuous duty cycle. The instrument having very high input impedance advanced (MOS-FET buffer OP-AMP) The instrument accepts all types of P<sup>H</sup> electrode. Auto / manual temp. compensation facility is available. The instrument indicates P<sup>H</sup> by 3 1/2 digit LED / LCD display.

#### **FEATURES**

- ◆ Manual / Auto temp. compensation by pt-100 sensor.
- ◆ Direct indication of P<sup>H</sup> / mV and temp. by LED / LCD displays.
- ◆ Slope control for correcting electrode slope.
- ◆ Asymetry control to eliminate ageing effect.
- ◆ 0 / 4 to 20 mA output into 500  $\Omega$  incase of P<sup>H</sup> transmitter.

#### **CONSTRUCTION & OPERATION**

The glass epoxy, green masked, PCB with high quality components soldered gives the drift free performance. The mV signal from P<sup>H</sup> electrode is directly given to high I / P impedance buffer amplifier and then this signal is processed. The auto / manual temp. compensation circuit is added at this stage & signal is given to DPM / V to I connector.

Thus we get P<sup>H</sup> indication or 0 / 4 to 20 mA signal proportional to input P<sup>H</sup>.

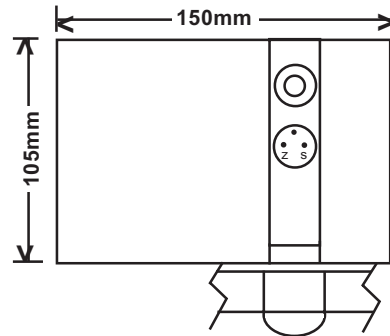
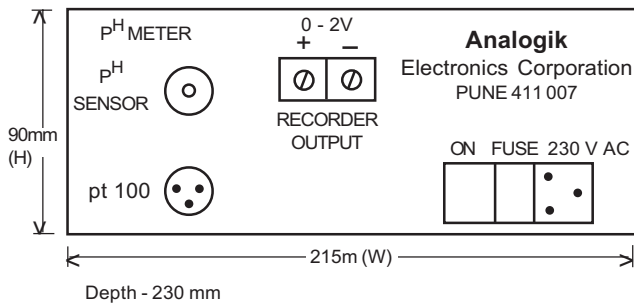
#### **APPLICATIONS**

- ◆ P<sup>H</sup> meter and P<sup>H</sup> transmitter are commonly used in many industries & plants. Used in water treatment plants, Power Station, Sugar Mills, Steel Plant, Paper Industry, Chemical, Petro Chemical, Food, Fertiliser, Soft Drink Industries.

## TECHNICAL SPECIFICATIONS

SPECIFICATIONS	P <sup>H</sup> INDICATOR	P <sup>H</sup> TRANSMITTER
<b>RANGE</b>	0 to 14 P <sup>H</sup> . ±1999 mV	0 to 14 P <sup>H</sup> .
<b>DISPLAY OUTPUT</b>	3 1/2 digit LED or LCD	3 1/2 digit LCD-local indication optional 0/4 to 20mA proportional to 0 to 14 P <sup>H</sup> .
<b>ACCURACY</b>	±0.25% of F. S.	±0.25% of F. S.
<b>TEMP. Compensation</b> Automatic with pt - 100 manual by pot	0 to 130 °C.	0 to 130 °C. Automatic only.
<b>INPUT IMPEDANCE</b>	>10 <sup>12</sup> Ohms.	>10 <sup>12</sup> Ohms.
<b>SUPPLY</b>	9 VDC, 230 V AC, 50 Hz 1 PHASE	9 VDC, 230 V AC, 50 Hz 1 PHASE
<b>SLOPE ADJUSTMENT</b>	90 to 110% at 25 °C.	90 to 110% at 25 °C.
<b>ASYMETRY ADJUSTMENT</b>	± 1 P <sup>H</sup> .	± 1 P <sup>H</sup> .
<b>OUTPUT LOAD</b>	-	500 ∇ Max.
<b>RECORDER OUTPT</b>	0 to 2 V	--

## DIMENSIONS & ELECTRICAL CONNECTIONS



### ANALOGIK ELECTRONICS CORPORATION

#### REGD. OFFICE :

S. NO. 250/1, D. P. ROAD, Sharda Park,

BANER, PUNE - 411 007, INDIA

TEL. - (020) 25888688 TELEFAX - (020) 25888688

E-mail - analogik@vsnl.com

### AREA REPRESENTATIVE